

WORK

---

+

---

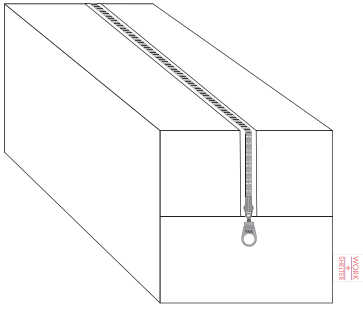
SHELTER

Where quality meets equality.

**PROMOTIONAL PRODUCTS**

**ORDER FORM**

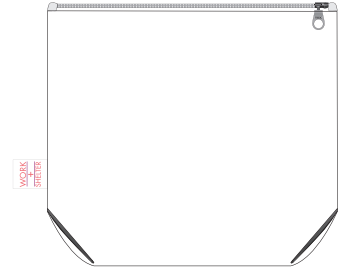
**SUPER CUSTOMIZATION**



**DOPP KIT**

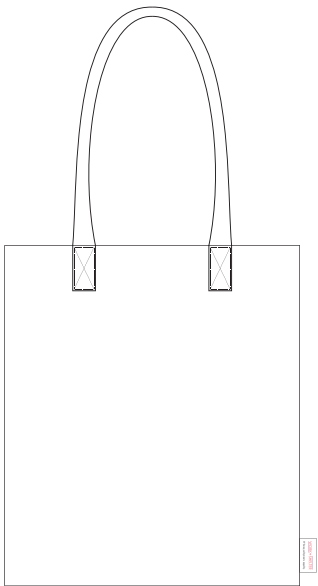


**ZIP POUCH**

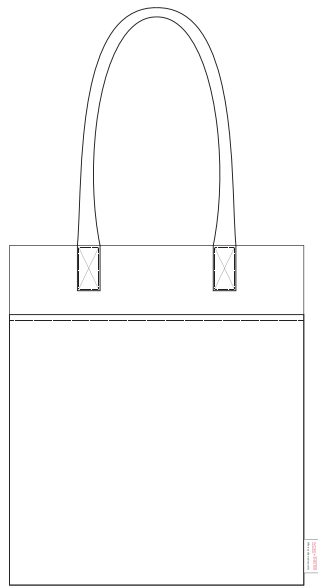


**EVERYTHING BAG**

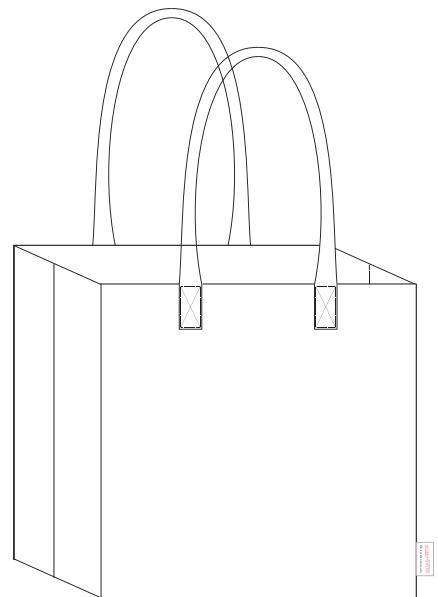
# PRODUCT OVERVIEW



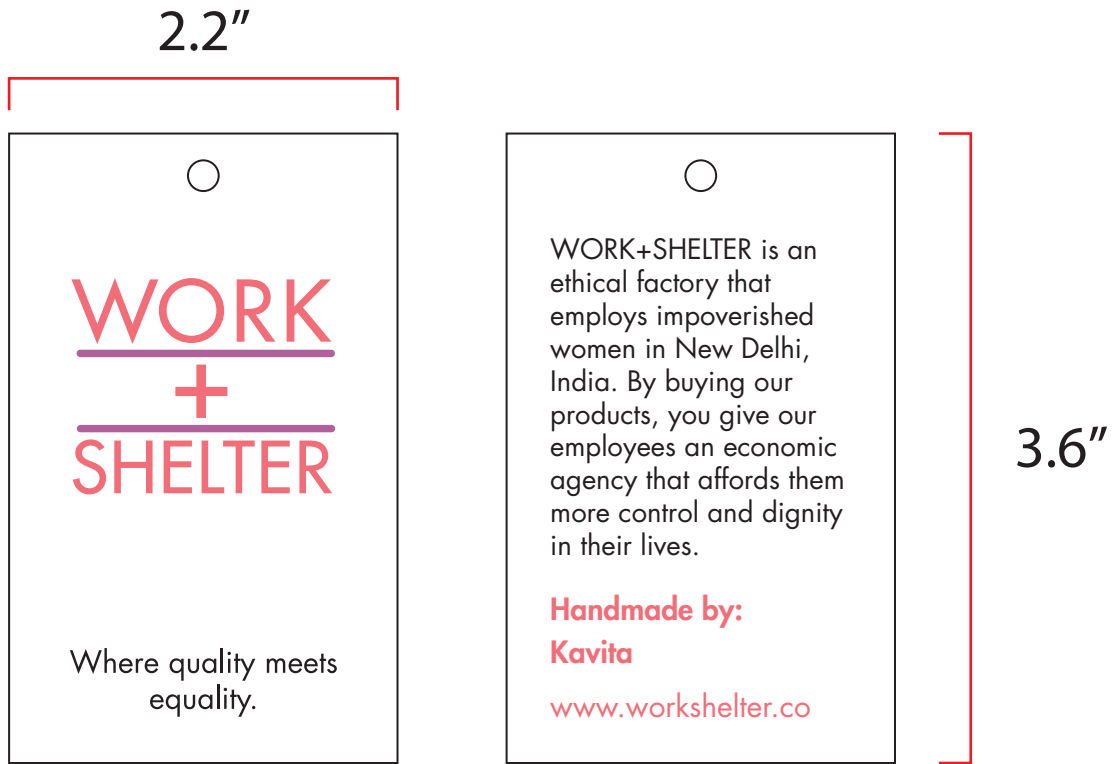
**STANDARD TOTE**



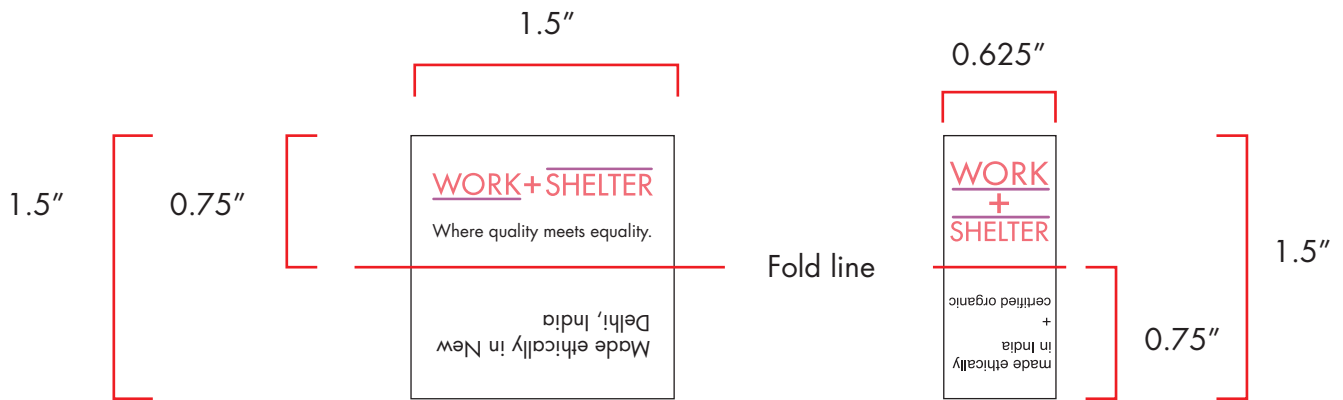
**STANDARD TOTE  
W/ POCKET**



**SQUARE TOTE BAG**



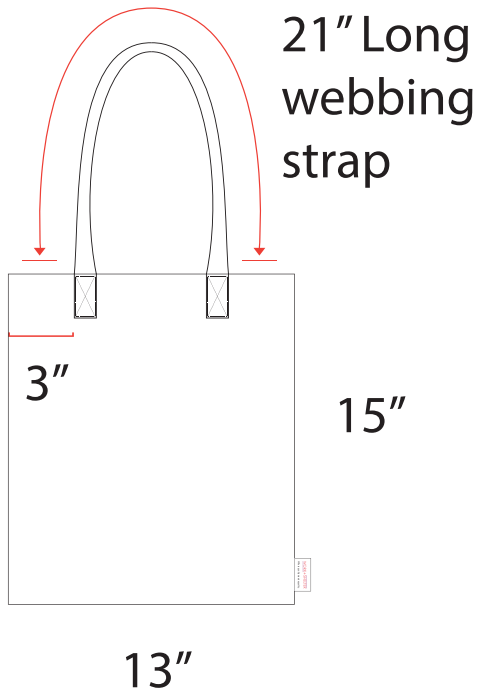
## WORK+SHELTER PAPER HANG TAG



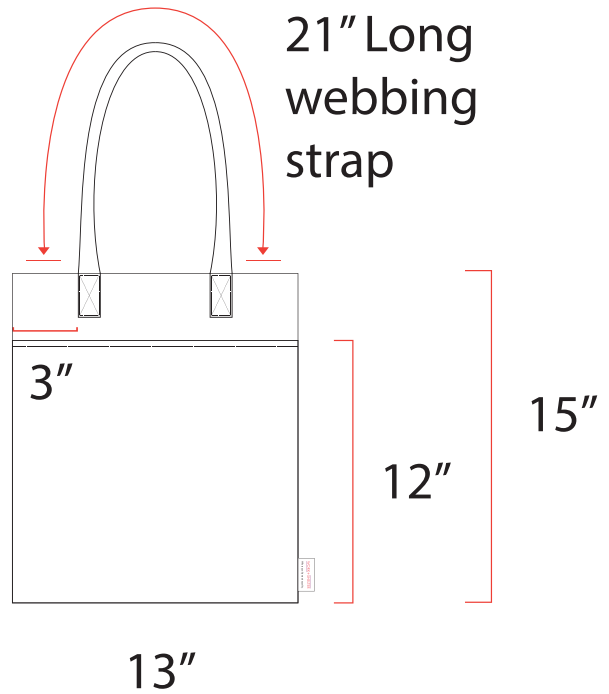
## WORK+SHELTER WOVEN TAGS

# TAGS OVERVIEW

Clients ordering custom paper or woven tags must provide their own artwork.



## STANDARD TOTE BAG



## STANDARD TOTE BAG WITH EXTERIOR POCKET

### STANDARD TOTE BAG - CUSTOM COLORS

SKU: A101

	1-100 Pieces	101-500 Pieces	501+ Pieces
Standard Tote Bag in Heavy Canvas (12 oz.) - Base Price/Piece	<input type="checkbox"/> \$5.00	<input type="checkbox"/> \$4.75	<input type="checkbox"/> \$4.50
Standard Tote Bag in Thin Canvas - Base Price/Piece	<input type="checkbox"/> \$3.00	<input type="checkbox"/> \$2.75	<input type="checkbox"/> \$2.50

		Price
Exterior Fabric Pantone Color*	<input type="checkbox"/> _____ (+\$1.25/piece) <input type="checkbox"/> No	\$
Webbing Tape Pantone Color	<input type="checkbox"/> _____ (+\$1.25/piece) <input type="checkbox"/> No	\$
Printing - One Side**	<input type="checkbox"/> 1-3 Colors (+1.00/piece) <input type="checkbox"/> 4-8 Colors (+\$1.50/piece) <input type="checkbox"/> No	\$
Printing - Two Sides** OR	<input type="checkbox"/> 1-3 Colors (+2.00/piece) <input type="checkbox"/> 4-8 Colors (+\$3.00/piece) <input type="checkbox"/> No	\$
Paper Hang Tag	<input type="checkbox"/> WORK+SHELTER Tag <input type="checkbox"/> Custom Tag (+\$0.30/piece) <input type="checkbox"/> No	\$
Woven Tag	<input type="checkbox"/> WORK+SHELTER Tag <input type="checkbox"/> Custom Tag (+\$0.30/piece) <input type="checkbox"/> No	\$

Price Per Piece	\$
Quantity	
Subtotal (Quantity x Price Per Piece)	\$

\*We currently only provide custom exterior colors for heavy canvas and thin canvas fabric. If you're interested in custom colored waxed canvas fabric or another type of fabric, email us at [info@workshelter.co](mailto:info@workshelter.co) and we'll work with you on a solution.

\*\*Please only choose either printing on one side or two sides. Also note we have a 20 piece minimum for printing.

## STANDARD TOTE BAG WITH POCKET - CUSTOM COLORS

SKU: A102

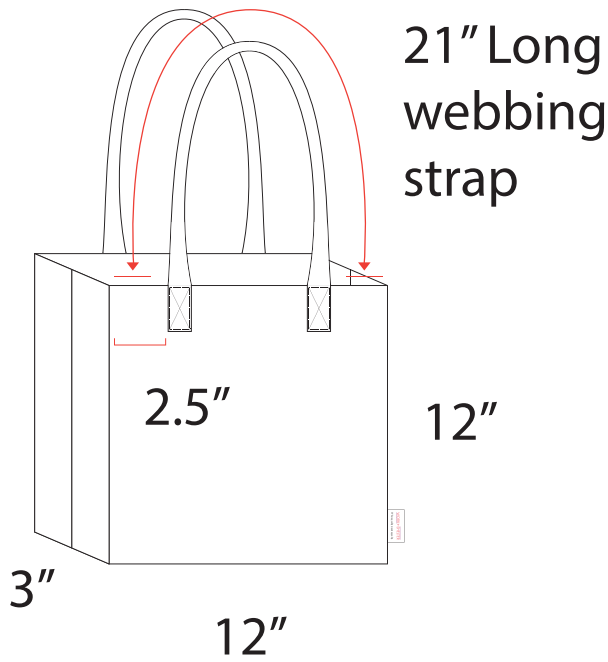
	1-100 Pieces	101-500 Pieces	501+ Pieces
Standard Tote Bag W/ Pocket in Heavy Canvas (12 oz.) - Base Price/Piece	<input type="checkbox"/> \$7.00	<input type="checkbox"/> \$6.75	<input type="checkbox"/> \$6.50
Standard Tote Bag W/ Pocket in Thin Canvas (5 oz.) - Base Price/Piece	<input type="checkbox"/> \$5.00	<input type="checkbox"/> \$4.75	<input type="checkbox"/> \$4.50

		Price
Exterior Fabric Pantone Color*	<input type="checkbox"/> _____ (+\$1.25/piece) <input type="checkbox"/> No	\$
Webbing Tape Pantone Color	<input type="checkbox"/> _____ (+\$1.25/piece) <input type="checkbox"/> No	\$
Printing - One Side**	<input type="checkbox"/> 1-3 Colors (+1.00/piece) <input type="checkbox"/> 4-8 Colors (+\$1.50/piece) <input type="checkbox"/> No	\$
OR		
Printing - Two Sides**	<input type="checkbox"/> 1-3 Colors (+2.00/piece) <input type="checkbox"/> 4-8 Colors (+\$3.00/piece) <input type="checkbox"/> No	\$
Paper Hang Tag	<input type="checkbox"/> WORK+SHELTER Tag <input type="checkbox"/> Custom Tag (+\$0.30/piece) <input type="checkbox"/> No	\$
Woven Tag	<input type="checkbox"/> WORK+SHELTER Tag <input type="checkbox"/> Custom Tag (+\$0.30/piece) <input type="checkbox"/> No	\$

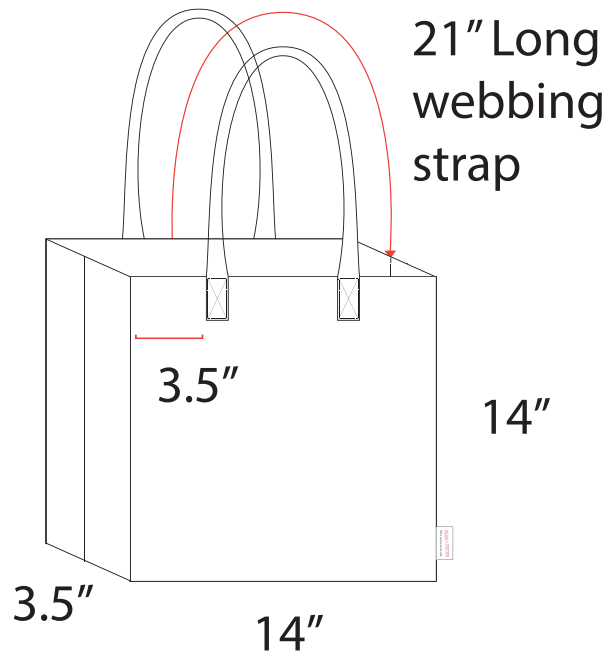
Price Per Piece	\$
Quantity	
Subtotal (Quantity x Price Per Piece)	\$

\*We currently only provide custom exterior colors for heavy canvas and thin canvas fabric. If you're interested in custom colored waxed canvas fabric or another type of fabric, email us at [info@workshelter.co](mailto:info@workshelter.co) and we'll work with you on a solution.

\*Please only choose either printing on one side or two sides. Also note we have a 20 piece minimum for printing.



**SMALL SQUARE TOTE BAG**



**LARGE SQUARE TOTE BAG**

**SMALL SQUARE TOTE BAG - CUSTOM COLORS**

SKU: A201

	1-100 Pieces	101-500 Pieces	501+ Pieces
Small Square Tote Bag in Heavy Canvas (12 oz.) - Base Price/Piece	<input type="checkbox"/> \$5.00	<input type="checkbox"/> \$4.75	<input type="checkbox"/> \$4.50
Small Square Tote Bag in Thin Canvas (5 oz.) - Base Price/Piece	<input type="checkbox"/> \$3.00	<input type="checkbox"/> \$2.75	<input type="checkbox"/> \$2.50

		Price
Exterior Fabric Pantone Color*	<input type="checkbox"/> _____ (+\$1.25/piece) <input type="checkbox"/> No	\$
Webbing Tape Pantone Color	<input type="checkbox"/> _____ (+\$1.25/piece) <input type="checkbox"/> No	\$
Printing - One Side**	<input type="checkbox"/> 1-3 Colors (+1.00/piece) <input type="checkbox"/> 4-8 Colors (+\$1.50/piece) <input type="checkbox"/> No	\$
OR		
Printing - Two Sides**	<input type="checkbox"/> 1-3 Colors (+2.00/piece) <input type="checkbox"/> 4-8 Colors (+\$3.00/piece) <input type="checkbox"/> No	\$
Paper Hang Tag	<input type="checkbox"/> WORK+SHELTER Tag <input type="checkbox"/> Custom Tag (+\$0.30/piece) <input type="checkbox"/> No	\$
Woven Tag	<input type="checkbox"/> WORK+SHELTER Tag <input type="checkbox"/> Custom Tag (+\$0.30/piece) <input type="checkbox"/> No	\$

Price Per Piece	\$
Quantity	
Subtotal (Quantity x Price Per Piece)	\$

\*We currently only provide custom exterior colors for heavy canvas and thin canvas fabric. If you're interested in custom colored waxed canvas fabric or another type of fabric, email us at [info@workshelter.co](mailto:info@workshelter.co) and we'll work with you on a solution.

\*\*Please only choose either printing on one side or two sides. Also note we have a 20 piece minimum for printing.

## LARGE SQUARE TOTE BAG - CUSTOM COLORS

SKU: A202

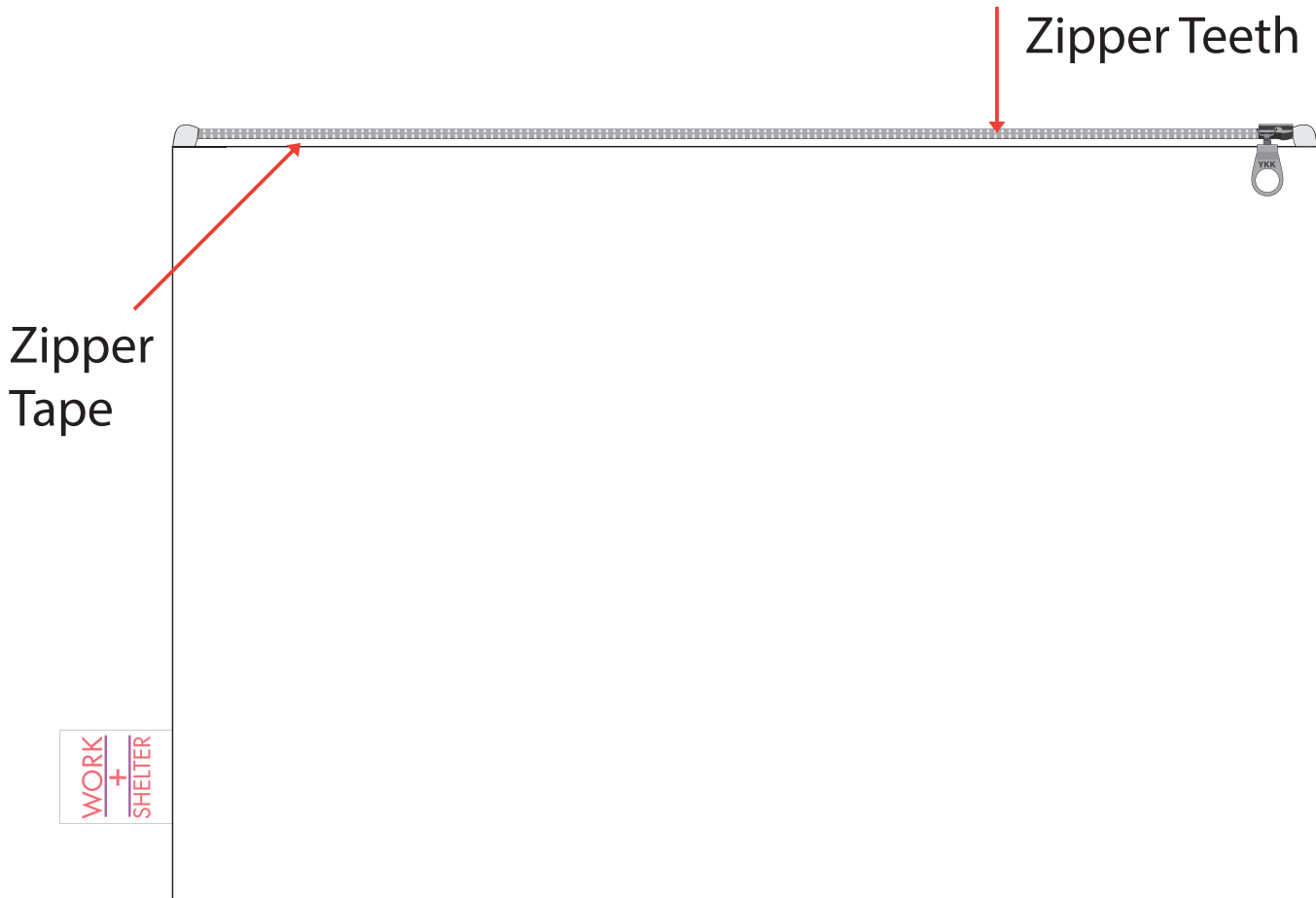
	1-100 Pieces	101-500 Pieces	501+ Pieces
Large Square Tote Bag in Heavy Canvas (12 oz.) - Base Price/Piece	<input type="checkbox"/> \$7.00	<input type="checkbox"/> \$6.75	<input type="checkbox"/> \$6.50
Large Square Tote Bag in Thin Canvas (5 oz.) - Base Price/Piece	<input type="checkbox"/> \$5.00	<input type="checkbox"/> \$4.75	<input type="checkbox"/> \$4.50

		Price
Exterior Fabric Pantone Color*	<input type="checkbox"/> _____ (+\$1.25/piece) <input type="checkbox"/> No	\$
Webbing Tape Pantone Color	<input type="checkbox"/> _____ (+\$1.25/piece) <input type="checkbox"/> No	\$
Printing - One Side**	<input type="checkbox"/> 1-3 Colors (+1.00/piece) <input type="checkbox"/> 4-8 Colors (+\$1.50/piece) <input type="checkbox"/> No	\$
Printing - Two Sides** OR	<input type="checkbox"/> 1-3 Colors (+2.00/piece) <input type="checkbox"/> 4-8 Colors (+\$3.00/piece) <input type="checkbox"/> No	\$
Paper Hang Tag	<input type="checkbox"/> WORK+SHELTER Tag <input type="checkbox"/> Custom Tag (+\$0.30/piece) <input type="checkbox"/> No	\$
Woven Tag	<input type="checkbox"/> WORK+SHELTER Tag <input type="checkbox"/> Custom Tag (+\$0.30/piece) <input type="checkbox"/> No	\$

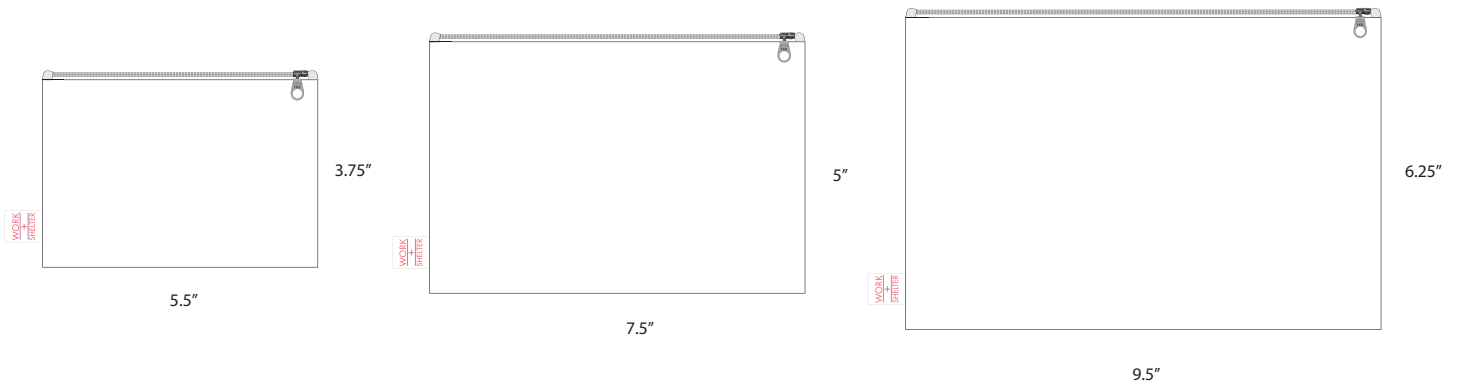
Price Per Piece	\$
Quantity	
Subtotal (Quantity x Price Per Piece)	\$

\*We currently only provide custom exterior colors for heavy canvas and thin canvas fabric. If you're interested in custom colored waxed canvas fabric or another type of fabric, email us at [info@workshelter.co](mailto:info@workshelter.co) and we'll work with you on a solution.

\*Please only choose either printing on one side or two sides. Also note we have a 20 piece minimum for printing.



# ZIP POUCH



**SMALL**

**MEDIUM**

**LARGE**



## SMALL ZIP POUCH - CUSTOM COLORS

SKU: A301

	1-100 Pieces	101-500 Pieces	501+ Pieces
Small Zip Pouch in Heavy Canvas (12 oz.) - Base Price/Piece	<input type="checkbox"/> \$3.00	<input type="checkbox"/> \$2.75	<input type="checkbox"/> \$2.50

		Price
Exterior Fabric Pantone Color*	<input type="checkbox"/> _____(+ \$1.25/piece) <input type="checkbox"/> No	\$
Lining Fabric Pantone Color	<input type="checkbox"/> _____(+ \$1.25/piece) <input type="checkbox"/> No	\$
Printing - One Side**	<input type="checkbox"/> 1-3 Colors (+1.00/piece) <input type="checkbox"/> 4-8 Colors (+\$1.50/piece) <input type="checkbox"/> No	\$
OR		
Printing - Two Sides**	<input type="checkbox"/> 1-3 Colors (+2.00/piece) <input type="checkbox"/> 4-8 Colors (+\$3.00/piece) <input type="checkbox"/> No	\$
Zipper Tape Pantone Color***	<input type="checkbox"/> _____(+ \$0.50/piece) <input type="checkbox"/> No	\$
Zipper Teeth Finish	<input type="checkbox"/> Antique Brass <input type="checkbox"/> Antique Silver <input type="checkbox"/> Antique Copper <input type="checkbox"/> Nickel <input type="checkbox"/> Gold	\$0.00
Paper Hang Tag	<input type="checkbox"/> WORK+SHELTER Tag <input type="checkbox"/> Custom Tag (+\$0.30/piece) <input type="checkbox"/> No	\$
Woven Tag	<input type="checkbox"/> WORK+SHELTER Tag <input type="checkbox"/> Custom Tag (+\$0.30/piece) <input type="checkbox"/> No	\$

Price Per Piece	\$
Quantity	
Subtotal (Quantity x Price Per Piece)	\$

## MEDIUM ZIP POUCH - CUSTOM COLORS

SKU: A302

	1-100 Pieces	101-500 Pieces	501+ Pieces
Medium Zip Pouch in Heavy Canvas (12 oz.) - Base Price/Piece	<input type="checkbox"/> \$4.00	<input type="checkbox"/> \$3.75	<input type="checkbox"/> \$3.50

		Price
Exterior Fabric Pantone Color*	<input type="checkbox"/> _____(+ \$1.25/piece) <input type="checkbox"/> No	\$
Lining Fabric Pantone Color	<input type="checkbox"/> _____(+ \$1.25/piece) <input type="checkbox"/> No	\$
Printing - One Side**	<input type="checkbox"/> 1-3 Colors (+1.00/piece) <input type="checkbox"/> 4-8 Colors (+\$1.50/piece) <input type="checkbox"/> No	\$
OR		
Printing - Two Sides**	<input type="checkbox"/> 1-3 Colors (+2.00/piece) <input type="checkbox"/> 4-8 Colors (+\$3.00/piece) <input type="checkbox"/> No	\$
Zipper Tape Pantone Color***	<input type="checkbox"/> _____(+ \$0.50/piece) <input type="checkbox"/> No	\$
Zipper Teeth Finish	<input type="checkbox"/> Antique Brass <input type="checkbox"/> Antique Silver <input type="checkbox"/> Antique Copper <input type="checkbox"/> Nickel <input type="checkbox"/> Gold	\$0.00
Paper Hang Tag	<input type="checkbox"/> WORK+SHELTER Tag <input type="checkbox"/> Custom Tag (+\$0.30/piece) <input type="checkbox"/> No	\$
Woven Tag	<input type="checkbox"/> WORK+SHELTER Tag <input type="checkbox"/> Custom Tag (+\$0.30/piece) <input type="checkbox"/> No	\$

Price Per Piece	\$
Quantity	
Subtotal (Quantity x Price Per Piece)	\$

## LARGE ZIP POUCH - CUSTOM COLORS

SKU: A303

	1-100 Pieces	101-500 Pieces	501+ Pieces
Large Zip Pouch in Heavy Canvas (12 oz.) - Base Price/Piece	<input type="checkbox"/> \$5.00	<input type="checkbox"/> \$4.75	<input type="checkbox"/> \$4.50

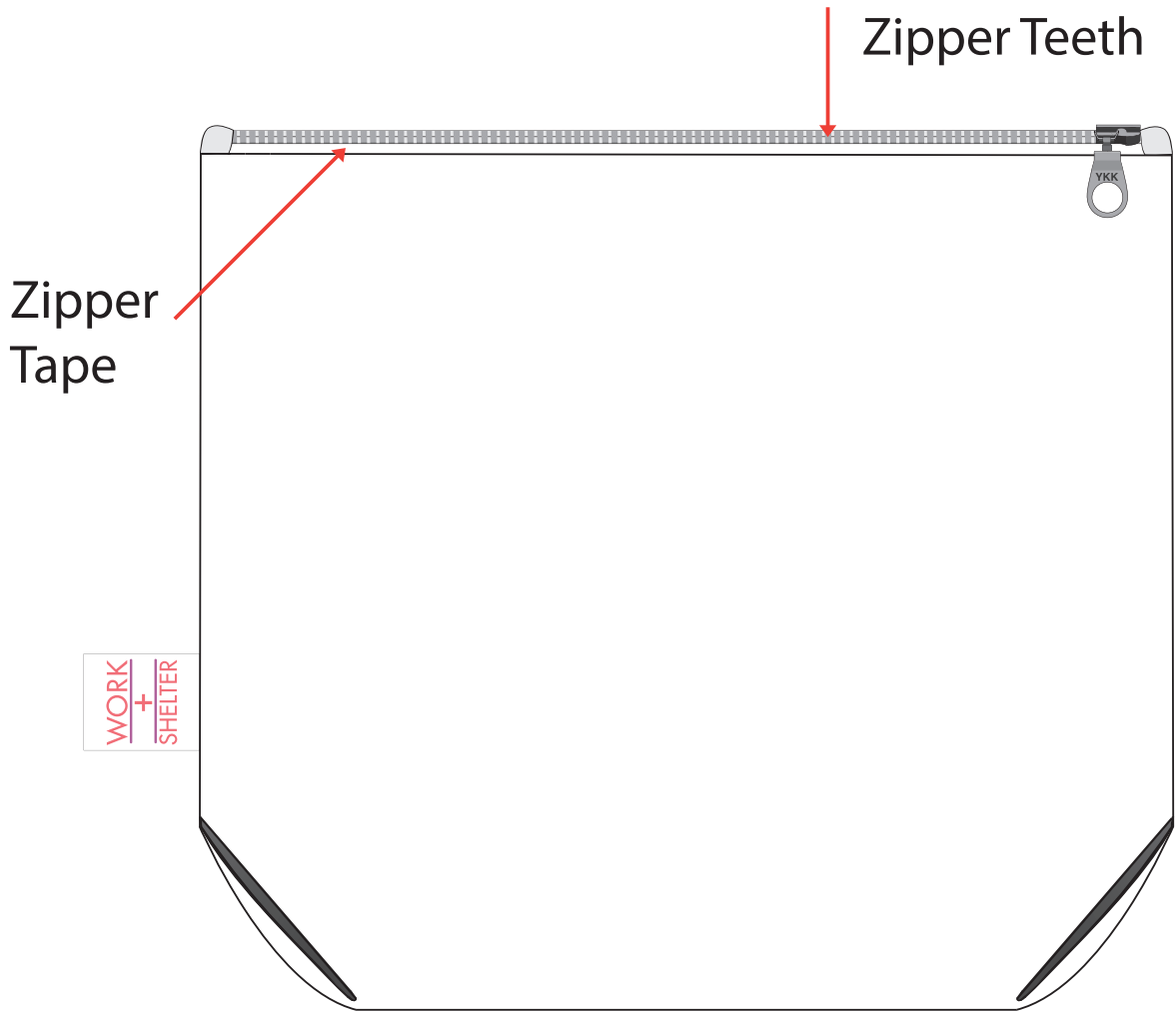
		Price
Exterior Fabric Pantone Color*	<input type="checkbox"/> _____(+ \$1.25/piece) <input type="checkbox"/> No	\$
Lining Fabric Pantone Color	<input type="checkbox"/> _____(+ \$1.25/piece) <input type="checkbox"/> No	\$
Printing - One Side**	<input type="checkbox"/> 1-3 Colors (+1.00/piece) <input type="checkbox"/> 4-8 Colors (+\$1.50/piece) <input type="checkbox"/> No	\$
OR		
Printing - Two Sides**	<input type="checkbox"/> 1-3 Colors (+2.00/piece) <input type="checkbox"/> 4-8 Colors (+\$3.00/piece) <input type="checkbox"/> No	\$
Zipper Tape Pantone Color***	<input type="checkbox"/> _____(+ \$0.50/piece) <input type="checkbox"/> No	\$
Zipper Teeth Finish	<input type="checkbox"/> Antique Brass <input type="checkbox"/> Antique Silver <input type="checkbox"/> Antique Copper <input type="checkbox"/> Nickel <input type="checkbox"/> Gold	\$0.00
Paper Hang Tag	<input type="checkbox"/> WORK+SHELTER Tag <input type="checkbox"/> Custom Tag (+\$0.30/piece) <input type="checkbox"/> No	\$
Woven Tag	<input type="checkbox"/> WORK+SHELTER Tag <input type="checkbox"/> Custom Tag (+\$0.30/piece) <input type="checkbox"/> No	\$

Price Per Piece	\$
Quantity	
Subtotal (Quantity x Price Per Piece)	\$

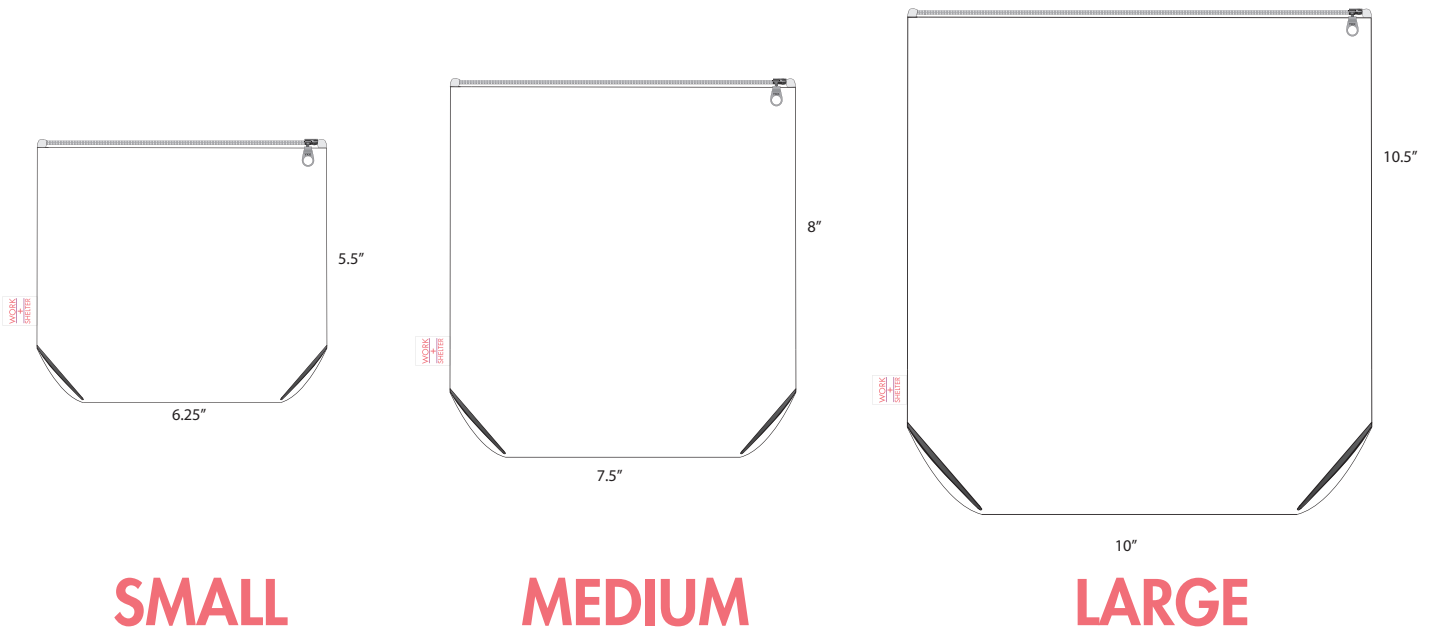
\*We currently only provide custom exterior colors for heavy canvas fabric. If you're interested in custom colored waxed canvas fabric or another type of fabric, email us at [info@workshelter.co](mailto:info@workshelter.co) and we'll work with you on a solution.

\*\*Please only choose either printing on one side or two. Also note we have a 20 piece minimum for printing.

\*\*\*While YKK Zippers can't provide exact pantone matches for their zipper tape colors, we can provide a close match. Email us at [info@workshelter.co](mailto:info@workshelter.co) if you have questions.



# EVERYTHING BAG



## SMALL EVERYTHING BAG - CUSTOM COLORS

SKU: A401

	1-100 Pieces	101-500 Pieces	501+ Pieces
Small Everything Bag in Heavy Canvas (12 oz.) - Base Price/Piece	<input type="checkbox"/> \$4.00	<input type="checkbox"/> \$3.75	<input type="checkbox"/> \$3.50

		Price
Exterior Fabric Pantone Color*	<input type="checkbox"/> _____(+ \$1.25/piece) <input type="checkbox"/> No	\$
Lining Fabric Pantone Color	<input type="checkbox"/> _____(+ \$1.25/piece) <input type="checkbox"/> No	\$
Printing - One Side**	<input type="checkbox"/> 1-3 Colors (+1.00/piece) <input type="checkbox"/> 4-8 Colors (+\$1.50/piece) <input type="checkbox"/> No	\$
OR		
Printing - Two Sides**	<input type="checkbox"/> 1-3 Colors (+2.00/piece) <input type="checkbox"/> 4-8 Colors (+\$3.00/piece) <input type="checkbox"/> No	\$
Zipper Tape Pantone Color***	<input type="checkbox"/> _____(+ \$0.50/piece) <input type="checkbox"/> No	\$
Zipper Teeth Finish	<input type="checkbox"/> Antique Brass <input type="checkbox"/> Antique Silver <input type="checkbox"/> Antique Copper <input type="checkbox"/> Nickel <input type="checkbox"/> Gold	\$0.00
Paper Hang Tag	<input type="checkbox"/> WORK+SHELTER Tag <input type="checkbox"/> Custom Tag (+\$0.30/piece) <input type="checkbox"/> No	\$
Woven Tag	<input type="checkbox"/> WORK+SHELTER Tag <input type="checkbox"/> Custom Tag (+\$0.30/piece) <input type="checkbox"/> No	\$

Price Per Piece	\$
Quantity	
Subtotal (Quantity x Price Per Piece)	\$

## MEDIUM EVERYTHING BAG - CUSTOM COLORS

SKU: A402

	1-100 Pieces	101-500 Pieces	501+ Pieces
Medium Everything Bag in Heavy Canvas (12 oz.) - Base Price/Piece	<input type="checkbox"/> \$5.00	<input type="checkbox"/> \$4.75	<input type="checkbox"/> \$4.50

		Price
Exterior Fabric Pantone Color*	<input type="checkbox"/> _____(+ \$1.25/piece) <input type="checkbox"/> No	\$
Lining Fabric Pantone Color	<input type="checkbox"/> _____(+ \$1.25/piece) <input type="checkbox"/> No	\$
Printing - One Side**	<input type="checkbox"/> 1-3 Colors (+1.00/piece) <input type="checkbox"/> 4-8 Colors (+\$1.50/piece) <input type="checkbox"/> No	\$
OR		
Printing - Two Sides**	<input type="checkbox"/> 1-3 Colors (+2.00/piece) <input type="checkbox"/> 4-8 Colors (+\$3.00/piece) <input type="checkbox"/> No	\$
Zipper Tape Pantone Color***	<input type="checkbox"/> _____(+ \$0.50/piece) <input type="checkbox"/> No	\$
Zipper Teeth Finish	<input type="checkbox"/> Antique Brass <input type="checkbox"/> Antique Silver <input type="checkbox"/> Antique Copper <input type="checkbox"/> Nickel <input type="checkbox"/> Gold	\$0.00
Paper Hang Tag	<input type="checkbox"/> WORK+SHELTER Tag <input type="checkbox"/> Custom Tag (+\$0.30/piece) <input type="checkbox"/> No	\$
Woven Tag	<input type="checkbox"/> WORK+SHELTER Tag <input type="checkbox"/> Custom Tag (+\$0.30/piece) <input type="checkbox"/> No	\$

Price Per Piece	\$
Quantity	
Subtotal (Quantity x Price Per Piece)	\$

## LARGE EVERYTHING BAG - CUSTOM COLORS

SKU: A403

	1-100 Pieces	101-500 Pieces	501+ Pieces
Large Everything Bag in Heavy Canvas (12 oz.) - Base Price/Piece	<input type="checkbox"/> \$6.00	<input type="checkbox"/> \$5.75	<input type="checkbox"/> \$5.50

		Price
Exterior Fabric Pantone Color*	<input type="checkbox"/> _____(+ \$1.25/piece) <input type="checkbox"/> No	\$
Lining Fabric Pantone Color	<input type="checkbox"/> _____(+ \$1.25/piece) <input type="checkbox"/> No	\$
Printing - One Side**	<input type="checkbox"/> 1-3 Colors (+1.00/piece) <input type="checkbox"/> 4-8 Colors (+\$1.50/piece) <input type="checkbox"/> No	\$
OR		
Printing - Two Sides**	<input type="checkbox"/> 1-3 Colors (+2.00/piece) <input type="checkbox"/> 4-8 Colors (+\$3.00/piece) <input type="checkbox"/> No	\$
Zipper Tape Pantone Color***	<input type="checkbox"/> _____(+ \$0.50/piece) <input type="checkbox"/> No	\$
Zipper Teeth Finish	<input type="checkbox"/> Antique Brass <input type="checkbox"/> Antique Silver <input type="checkbox"/> Antique Copper <input type="checkbox"/> Nickel <input type="checkbox"/> Gold	\$0.00
Paper Hang Tag	<input type="checkbox"/> WORK+SHELTER Tag <input type="checkbox"/> Custom Tag (+\$0.30/piece) <input type="checkbox"/> No	\$
Woven Tag	<input type="checkbox"/> WORK+SHELTER Tag <input type="checkbox"/> Custom Tag (+\$0.30/piece) <input type="checkbox"/> No	\$

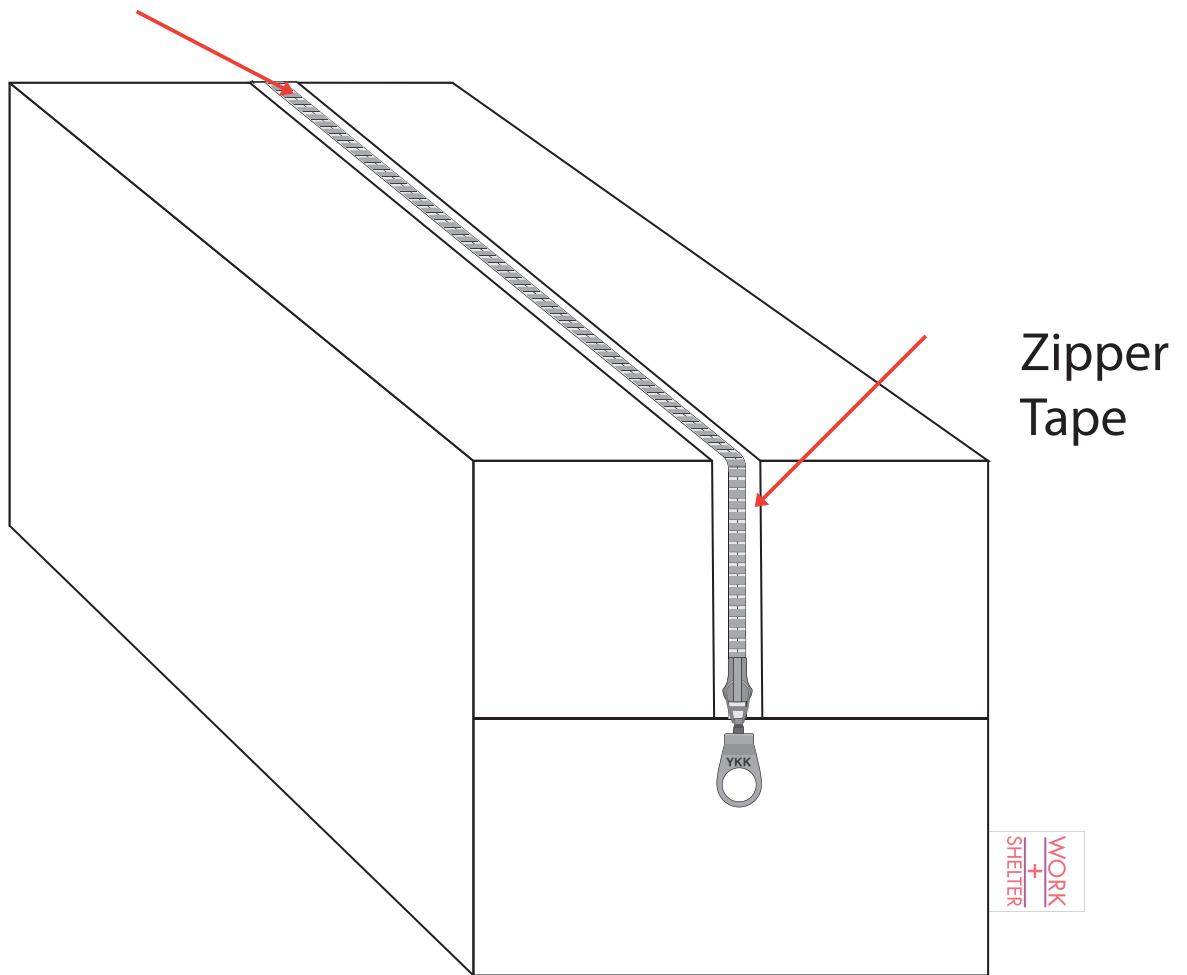
Price Per Piece	\$
Quantity	
Subtotal (Quantity x Price Per Piece)	\$

\*We currently only provide custom exterior colors for heavy canvas fabric. If you're interested in custom colored waxed canvas fabric or another type of fabric, email us at [info@workshelter.co](mailto:info@workshelter.co) and we'll work with you on a solution.

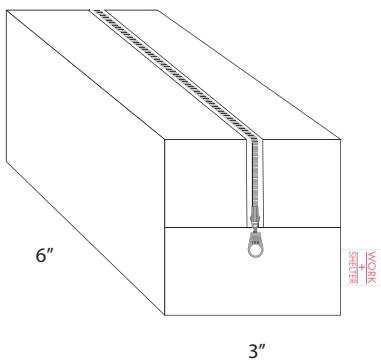
\*\*Please only choose either printing on one side or two sides. Also note we have a 20 piece minimum for printing.

\*\*\*While YKK Zippers can't provide exact pantone matches for their zipper tape colors, we can provide a close match. Email us at [info@workshelter.co](mailto:info@workshelter.co) if you have questions.

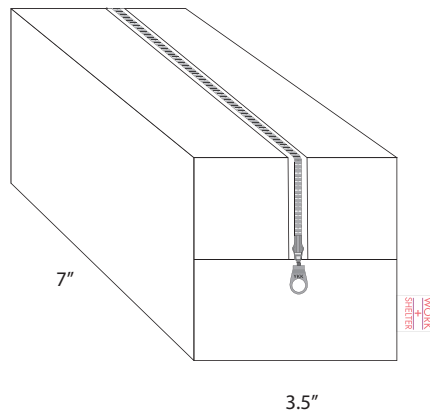
Zipper Teeth



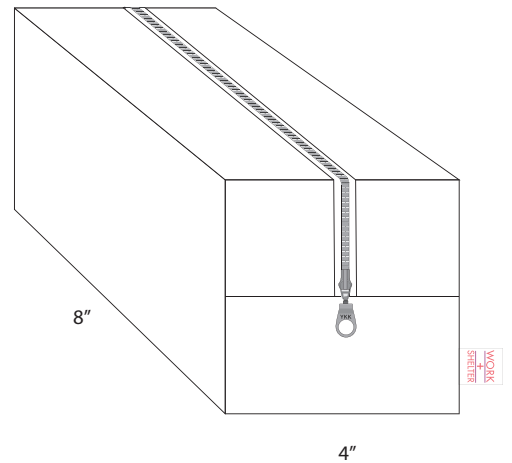
# DOPP KIT



**SMALL**



**MEDIUM**



**LARGE**

## SMALL DOPP KIT - CUSTOM COLORS

SKU: A501

	1-100 Pieces	101-500 Pieces	501+ Pieces
Small Dopp Kit in Heavy Canvas (12 oz.) - Base Price/Piece	<input type="checkbox"/> \$4.00	<input type="checkbox"/> \$3.75	<input type="checkbox"/> \$3.50

		Price
Exterior Fabric Pantone Color*	<input type="checkbox"/> _____(+ \$1.25/piece) <input type="checkbox"/> No	\$
Lining Fabric Pantone Color	<input type="checkbox"/> _____(+ \$1.25/piece) <input type="checkbox"/> No	\$
Printing - One Side**	<input type="checkbox"/> 1-3 Colors (+1.00/piece) <input type="checkbox"/> 4-8 Colors (+\$1.50/piece) <input type="checkbox"/> No	\$
OR		
Printing - Two Sides**	<input type="checkbox"/> 1-3 Colors (+2.00/piece) <input type="checkbox"/> 4-8 Colors (+\$3.00/piece) <input type="checkbox"/> No	\$
Zipper Tape Pantone Color***	<input type="checkbox"/> _____(+ \$0.50/piece) <input type="checkbox"/> No	\$
Zipper Teeth Finish	<input type="checkbox"/> Antique Brass <input type="checkbox"/> Antique Silver <input type="checkbox"/> Antique Copper <input type="checkbox"/> Nickel <input type="checkbox"/> Gold	\$0.00
Paper Hang Tag	<input type="checkbox"/> WORK+SHELTER Tag <input type="checkbox"/> Custom Tag (+\$0.30/piece) <input type="checkbox"/> No	\$
Woven Tag	<input type="checkbox"/> WORK+SHELTER Tag <input type="checkbox"/> Custom Tag (+\$0.30/piece) <input type="checkbox"/> No	\$

Price Per Piece	\$
Quantity	
Subtotal (Quantity x Price Per Piece)	\$

## MEDIUM DOPP KIT - CUSTOM COLORS

SKU: A502

	1-100 Pieces	101-500 Pieces	501+ Pieces
Medium Dopp Kit in Heavy Canvas (12 oz.) - Base Price/Piece	<input type="checkbox"/> \$5.00	<input type="checkbox"/> \$4.75	<input type="checkbox"/> \$4.50

		Price
Exterior Fabric Pantone Color*	<input type="checkbox"/> _____(+ \$1.25/piece) <input type="checkbox"/> No	\$
Lining Fabric Pantone Color	<input type="checkbox"/> _____(+ \$1.25/piece) <input type="checkbox"/> No	\$
Printing - One Side**	<input type="checkbox"/> 1-3 Colors (+1.00/piece) <input type="checkbox"/> 4-8 Colors (+\$1.50/piece) <input type="checkbox"/> No	\$
OR		
Printing - Two Sides**	<input type="checkbox"/> 1-3 Colors (+2.00/piece) <input type="checkbox"/> 4-8 Colors (+\$3.00/piece) <input type="checkbox"/> No	\$
Zipper Tape Pantone Color***	<input type="checkbox"/> _____(+ \$0.50/piece) <input type="checkbox"/> No	\$
Zipper Teeth Finish	<input type="checkbox"/> Antique Brass <input type="checkbox"/> Antique Silver <input type="checkbox"/> Antique Copper <input type="checkbox"/> Nickel <input type="checkbox"/> Gold	\$0.00
Paper Hang Tag	<input type="checkbox"/> WORK+SHELTER Tag <input type="checkbox"/> Custom Tag (+\$0.30/piece) <input type="checkbox"/> No	\$
Woven Tag	<input type="checkbox"/> WORK+SHELTER Tag <input type="checkbox"/> Custom Tag (+\$0.30/piece) <input type="checkbox"/> No	\$

Price Per Piece	\$
Quantity	
Subtotal (Quantity x Price Per Piece)	\$

## LARGE DOPP KIT - CUSTOM COLORS

SKU: A503

	1-100 Pieces	101-500 Pieces	501+ Pieces
Large Dopp Kit in Heavy Canvas (12 oz.) - Base Price/Piece	<input type="checkbox"/> \$6.00	<input type="checkbox"/> \$5.75	<input type="checkbox"/> \$5.50

	Price
Exterior Fabric Pantone Color* <input type="checkbox"/> _____ (+\$1.25/piece) <input type="checkbox"/> No	\$
Lining Fabric Pantone Color <input type="checkbox"/> _____ (+\$1.25/piece) <input type="checkbox"/> No	\$
Printing - One Side** OR _____ <input type="checkbox"/> 1-3 Colors (+1.00/piece) <input type="checkbox"/> 4-8 Colors (+\$1.50/piece) <input type="checkbox"/> No	\$
Printing - Two Sides** <input type="checkbox"/> 1-3 Colors (+2.00/piece) <input type="checkbox"/> 4-8 Colors (+\$3.00/piece) <input type="checkbox"/> No	\$
Zipper Tape Pantone Color*** <input type="checkbox"/> _____ (+\$0.50/piece) <input type="checkbox"/> No	\$
Zipper Teeth Finish <input type="checkbox"/> Antique Brass <input type="checkbox"/> Antique Silver <input type="checkbox"/> Antique Copper <input type="checkbox"/> Nickel <input type="checkbox"/> Gold	\$0.00
Paper Hang Tag <input type="checkbox"/> WORK+SHELTER Tag <input type="checkbox"/> Custom Tag (+\$0.30/piece) <input type="checkbox"/> No	\$
Woven Tag <input type="checkbox"/> WORK+SHELTER Tag <input type="checkbox"/> Custom Tag (+\$0.30/piece) <input type="checkbox"/> No	\$

Price Per Piece	\$
Quantity	
Subtotal (Quantity x Price Per Piece)	\$

\*We currently only provide custom exterior colors for heavy canvas fabric. If you're interested in custom colored waxed canvas fabric or another type of fabric, email us at [info@workshelter.co](mailto:info@workshelter.co) and we'll work with you on a solution.

\*\*Please only choose either printing on one side or two sides. Also note we have a 20 piece minimum for printing.

\*\*\*While YKK Zippers can't provide exact pantone matches for their zipper tape colors, we can provide a close match. Email us at [info@workshelter.co](mailto:info@workshelter.co) if you have questions.



## TERMS AND CONDITIONS

WORK+SHELTER's goal is to provide an ethical turnkey sourcing solution and to develop long-term relationships with our clients. We welcome the opportunity to discuss these terms and conditions with you.

Payment terms: \$1,000 minimum order. For orders greater than \$1,000, 50% payment in advance is required, per standard Fair Trade terms. The balance is due upon receipt and acceptance of order. Re-orders available at \$500 minimum order.

Payment method: Credit card, PayPal (to [accounting@workshelter.co](mailto:accounting@workshelter.co)), or check to US LLC (write checks to WORK SHELTER).

Price terms: All prices quoted are fully landed in the US - buyer is not expected to pay shipping/customs/taxes/other fees. If buyer handles shipping and customs costs, 15% discount is granted. If rush shipping is needed, order is subject to additional 15% fee.

All cancellations are subject to manufacturer's approval. Client will be charged for any expenses associated with production 'til date.

All claims for shortage or defects must be submitted in writing within 7 days of receiving merchandise; Returns will not be allowed without manufacturer's written approval. Please check all packages carefully upon receipt.

For up to 100 items estimated lead time is 6-8 weeks + shipping; For between 101-500 items estimated lead time is 8-10 weeks + shipping; For between 500+ items estimated lead time is 10-12 weeks + shipping.

If changes to the order are made after the invoice is paid a change fee of 20% plus costs for any materials already purchased for the order may apply.

## STRIKE-OFFS/PRE-PRODUCTION SAMPLES

	Price
<input type="checkbox"/> Photograph of strike-off/pre-production sample (adds to order turnaround time)*	\$0.00
<input type="checkbox"/> Strike-off/pre-production sample shipped to you (+\$50.00 and adds to order turnaround time)*	\$
<input type="checkbox"/> No strike-off*	\$0.00

\*Please only choose one of above options.

## ORDER CONTENTS

	Subtotal
	\$
	\$
	\$
	\$
	\$
	\$
	\$
	\$
	\$

Order Total	\$
-------------	----

## ADDITIONAL NOTES


## BUYER INFORMATION

Name	
Company	
Email (for invoicing)	
Phone Number	
Shipping Address	

## TIPS

Need help finding a PANTONE color? Try the “Find a PANTONE Color” tool available at: <http://www.pantone.com/color-finder>.

If you need to find a PANTONE match for an RGB or CMYK color, there are a few color converter tools available for free on the internet. Here’s one that we sometimes use at WORK+SHELTER: [http://www.ginifab.com/feeds/pms/cmyk\\_to\\_pantone.php](http://www.ginifab.com/feeds/pms/cmyk_to_pantone.php)

## FILLING OUT THIS ORDER FORM

PDF viewers included with your computer, like Preview on Mac and Adobe Acrobat on PC, can be used to fill out this order form. Otherwise, print it out and send us a photo of your completed order form at [info@workshelter.co](mailto:info@workshelter.co).

## CONTACT US

Have questions? Contact us at [info@workshelter.co](mailto:info@workshelter.co), or give us a call at +1(616) 450-8431.